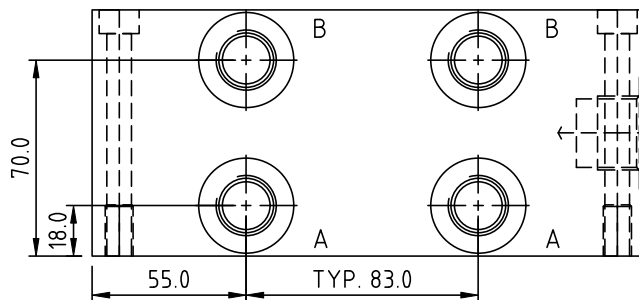
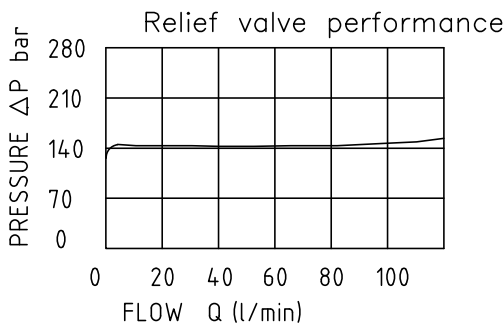
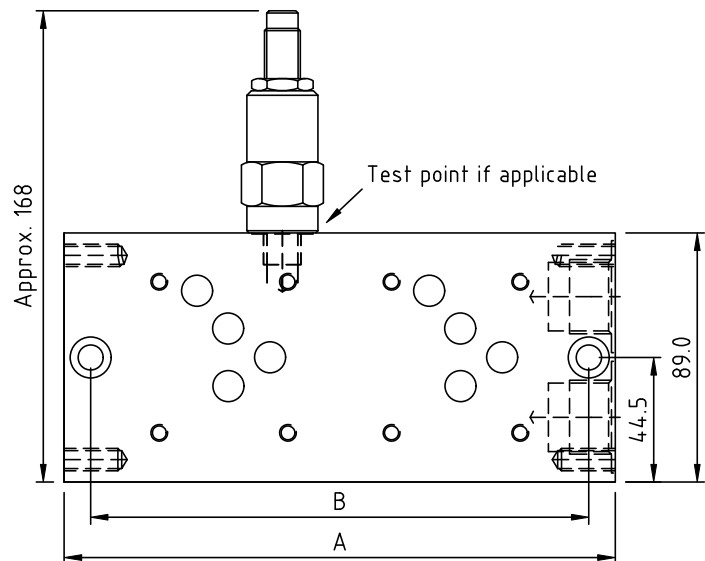
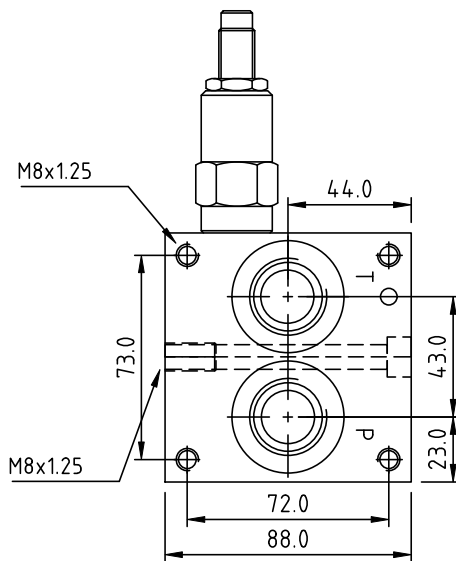
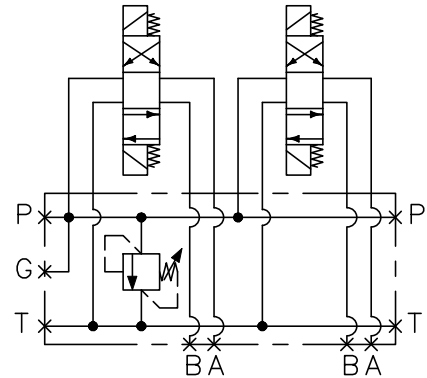




AMICIS MANUFACTURING Pty Ltd
 59 Kremzow Road
 Brendale, QLD 4500
 Ph. 07 3063 7766
 email: Sales@amicismfg.com.au

MULTI-STATION CETOP 5 PARALLEL SUBPLATES

Recommended pressure: 210 Bar Aluminium
 350 Bar Steel
 Pilot relief valve: Rated flow: 114 l/min.
 Adjustable: 17-240 Bar
 Ports: P & T: 3/4" BSPP
 A & B: 1/2" BSPP
 G: 1/4" BSPP
 Mounting: M8 SHCS or M10x1.5 Thread

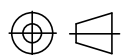


Note: Manifolds supplied with relief valve will have a test point G

Number of Stations	Without Relief Valve	With Relief Valve	Dimensions		Approx. Weight (kg) (add 0.2 for relief)
	Ordering Code	Ordering Code	Dim A (mm)	Dim B (mm)	
1	M5P1#	M5P1#-R1	114	95	A~2.0 - S~5.5
2	M5P2#	M5P2#-R1	197	178	A~3.5 - S~9.5
3	M5P3#	M5P3#-R1	280	261	A~5.0 - S~13.5
4	M5P4#	M5P4#-R1	363	344	A~6.5 - S~17.5
5	M5P5#	M5P5#-R1	446	427	A~8.0 - S~21.5
6	M5P6#	M5P6#-R1	529	510	A~9.5 - S~25.5
7	M5P7#	M5P7#-R1	612	593	A~11.0 - S~29.5
8	M5P8#	M5P8#-R1	695	676	A~12.5 - S~33.5

DEFAULT SUPPLY: ALUMINIUM 210 BAR, STEEL 350 BAR VALVES

NOTE: # A= Aluminium, S= Steel



HYT188/0103

Other sizes made to order, prices available upon application.
 Details within this catalogue are subject to change without notification.